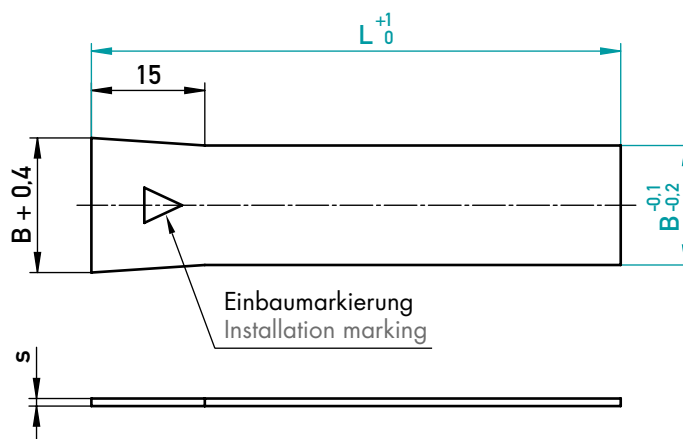




## UMLENKSTEG, FLEX-LOCK – NICHTROSTEND

DEFLECTION BAFFLE, FLEX-LOCK – STAINLESS STEEL



### AUF EINEN BLICK

- › Leichte Montage
- › Einfache und sichere Abdichtung in Verbindung mit 70943/730943

| d1              | s   | B    | L   | €/1 |
|-----------------|-----|------|-----|-----|
| M7x1 / M8x0,75  | 0,5 | 6    | 200 | •   |
| M9x1            | 1   | 8    | 200 | •   |
| G1/8" / M10x1   |     | 8,5  | 200 | •   |
| M11x1 / M12x1,5 |     | 10   | 200 | •   |
| G1/4" / M14x1,5 |     | 11,5 | 150 | •   |
|                 |     |      | 300 | •   |
| G3/8"           |     | 15   | 200 | •   |
|                 |     |      | 400 | •   |

### AT A GLANCE

- › Easy installation
- › Simple and secure sealing combined with 70943/730943

350°C 1.4301

| d1    | s | B    | L   | €/1 |
|-------|---|------|-----|-----|
| G1/2" | 1 | 18,5 | 250 | •   |
|       |   |      | 500 | •   |
| G3/4" |   | 23,5 | 300 | •   |
|       |   |      | 450 | •   |
|       |   |      | 600 | •   |

✉ 732200/B-L



**UMLENKSTEG, FLEX-LOCK – NICHTROSTEND**  
 DEFLECTION BAFFLE, FLEX-LOCK – STAINLESS STEEL

**EINBAUBEISPIELE · INSTALLATION EXAMPLES**

| d1      | d2   | d3  | d4 | l1 | l2  | s   | B    | L   |
|---------|------|-----|----|----|-----|-----|------|-----|
| M7x1    | 6    | 4   | 11 | 6  | 2,5 | 0,5 | 6    | 200 |
| M8x0,75 |      |     | 12 |    |     |     |      | 300 |
| M9x1    | 8    | 5   | 14 |    | 3,5 | 1   | 8    | 200 |
| G1/8"   | 8,5  | 5,5 | 15 |    |     |     | 8,5  | 200 |
| M10x1   |      |     |    |    |     |     |      |     |
| M11x1   | 10   | 6,5 | 16 |    |     |     | 10   | 200 |
| M12x1,5 |      |     | 17 | 8  |     |     |      |     |
| G1/4"   | 11,5 | 7,5 | 18 |    |     |     | 11,5 | 150 |
|         |      |     |    |    |     |     |      | 300 |

| d1      | d2   | d3  | d4 | l1  | l2  | s | B    | L   |
|---------|------|-----|----|-----|-----|---|------|-----|
| M14x1,5 | 11,5 | 7,5 | 19 | 8   | 3,5 | 1 | 11,5 | 150 |
|         |      |     |    |     |     |   |      | 300 |
| G3/8"   | 15   | 10  | 22 |     |     |   | 15   | 200 |
|         |      |     |    |     |     |   |      | 400 |
| G1/2"   | 18,5 | 12  | 25 | 9   |     |   | 18,5 | 250 |
|         |      |     |    |     |     |   |      | 500 |
| G3/4"   | 23,5 | 16  | 33 | 9,5 | 4   |   | 23,5 | 300 |
|         |      |     |    |     |     |   |      | 450 |
|         |      |     |    |     |     |   |      | 600 |

