

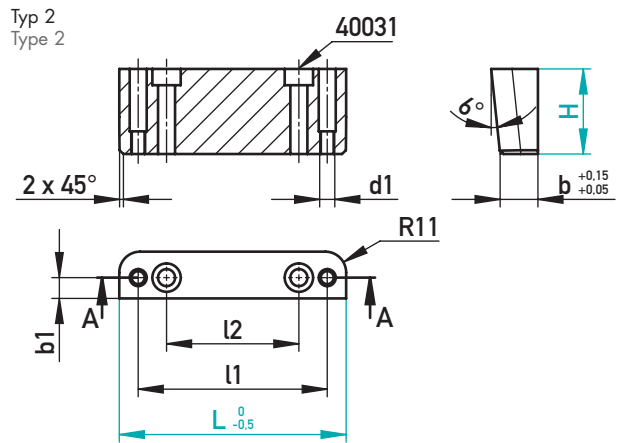
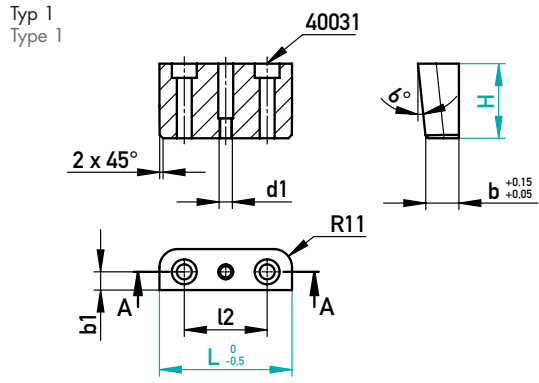


KEILLEISTE
POSITIONING WEDGE



Typ 2
Type 2

Typ 1
Type 1

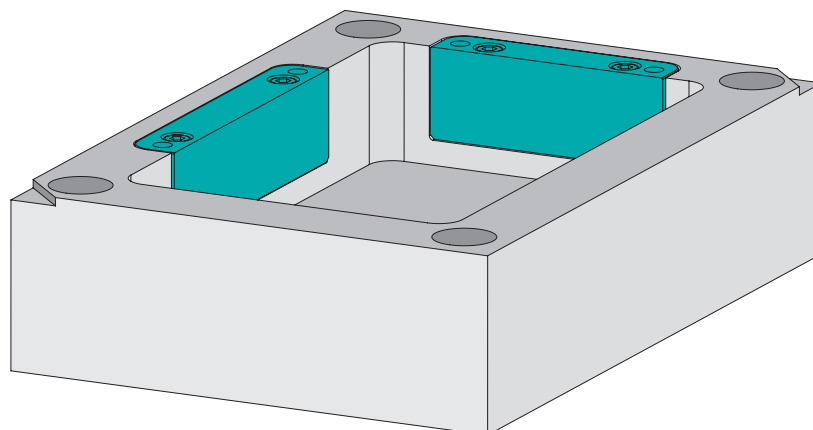


1.2842 / ~58 HRC

Typ/ Type	40031	d1	l1	l2	b	b1	L	H	€/1
1	40031/M8-35	M8	-	50	20	11	80	30	•
	40031/M8-50							45	•
	40031/M8-65							60	•
	40031/M8-85							80	•
	40031/M8-35	M8	-	70	20	11	100	30	•
	40031/M8-50							45	•
	40031/M8-65							60	•
	40031/M8-85							80	•
	40031/M8-105							100	•

Typ/ Type	40031	d1	l1	l2	b	b1	L	H	€/1
2	40031/M8-35	M8	100	70	20	11	120	30	•
	40031/M8-50							45	•
	40031/M8-65							60	•
	40031/M8-85							80	•
	40031/M8-105							100	•
	40031/M8-35	M8	140	110	20	11	160	30	•
	40031/M8-50							45	•
	40031/M8-65							60	•
	40031/M8-85							80	•
	40031/M8-105							100	•

51300/LH



EINBAUBEISPIEL
INSTALLATION EXAMPLE