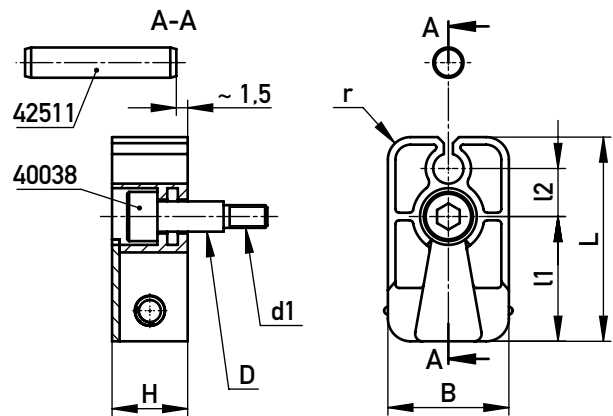




**SCHIEBERKLAMMER MRT**  
SLIDE RETAINER MRT



✓ 1x 42511, 1x 40038 im Lieferumfang / in scope of delivery

🌡️ 105°C

42511	40038	kg	l4	l5	l6	b2	b3	h1	h2	h3	D	d1	r1	r	l1	l2	H	L	B	Typ Type	€/1
6-30	6-16 M5	10	26	45	10	25	8	17	15,5	6,0	6	M5	6	5	22	9,1	16	38	19	10	•
8-40	8-20 M6	20	36	60	10	38	10	21	20,5	8,5	8	M6	8	6	33	12,7	20	54	32	20	•
10-60	10-30 M8	40	56	92	10	51	12	31	25,0	10,0	10	M8	11	10	53	20,3	30	86	45	40	•

☒ 295161/Typ

**EINBAUBEISPIEL · INSTALLATION EXAMPLE**

