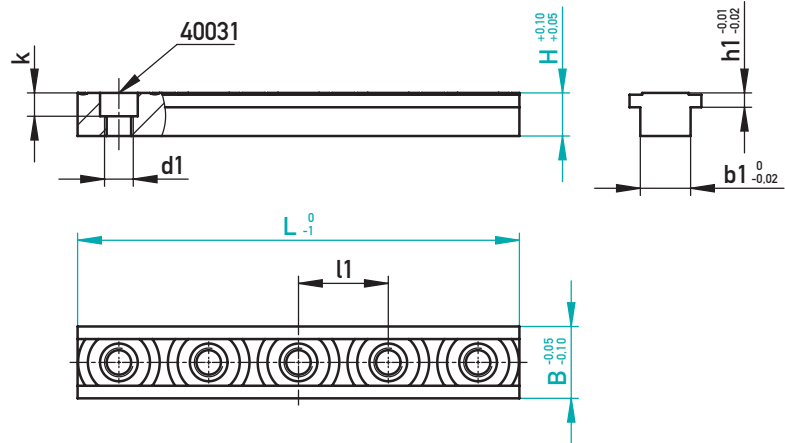




FÜHRUNGSLEISTE, FORM T – GEHÄRTET – DLC
 GUIDE RAIL, SHAPE T – HARDENED – DLC



AUF EINEN BLICK

- ▶ Präzise Schieberführung mit geringem Platzbedarf
- ▶ Ohne seitliche Führung möglich
- ▶ Optimale Gleit- und Trockenlaufeigenschaften durch DLC-Beschichtung
- ▶ Zusätzliche Schmiernuten
- ▶ System-Bohrabstand 25 mm (l1)
- ▶ Individuelles Kürzen auf Wunschlänge möglich

AT A GLANCE

- ▶ Precise slide guiding with little space requirement
- ▶ No lateral guiding necessary
- ▶ Optimal gliding and dry run properties achieved by DLC coating
- ▶ Additional oil grooves
- ▶ System bore pitch 25 mm (l1)
- ▶ Individual cutting to desired length possible

1.2379 + DLC / ~59 HRC

| 40031 | d1 | k | l1 | b1 | h1 | B | H | L | €/1 |
|-------|----|-----|----|----|----|----|----|-----|-----|
| M4-12 | M5 | 4,5 | 25 | 10 | 3 | 15 | 10 | 48 | • |
| | | | | | | | | 73 | • |
| | | | | | | | | 98 | • |
| | | | | | | | | 123 | • |
| M6-12 | M8 | 7 | 25 | 14 | 4 | 20 | 12 | 248 | • |
| | | | | | | | | 73 | • |
| | | | | | | | | 98 | • |
| | | | | | | | | 123 | • |
| M6-20 | M8 | 7 | 25 | 18 | 5 | 25 | 20 | 148 | • |
| | | | | | | | | 298 | • |
| | | | | | | | | 98 | • |
| | | | | | | | | 123 | • |
| | | | | | | | | 148 | • |
| | | | | | | | | 198 | • |
| | | | | | | | | 298 | • |

282530/B-H-L

